

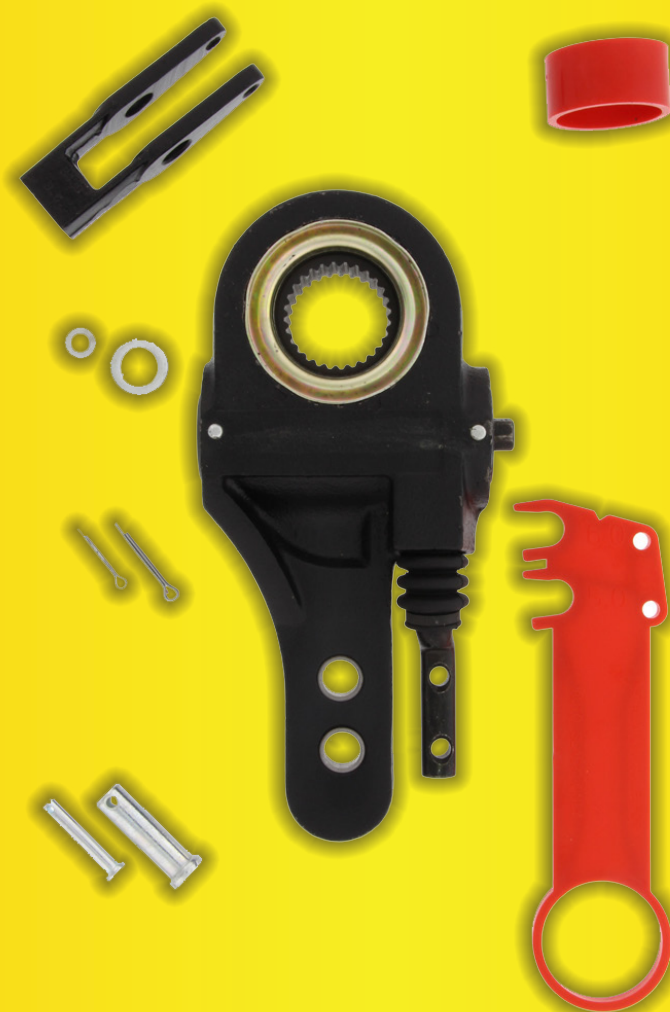
# EUCLID AUTOMATIC SLACK ADJUSTERS

## WHEN DEPENDABILITY MATTERS.

Our Euclid Automatic Slack Adjusters are constructed using high-grade materials to fulfill exacting durability and quality standards. Featuring corrosion free components constructed from premium materials which undergo heat treatment and precision machining they ensure an error-free performance every time you brake.

Also versatile, Euclid Auto Slack Adjusters can be utilised as direct replacements for existing competitive slacks on trucks, buses and trailers.

Euclid Auto Slack Adjusters are Meritor approved and have been rigorously tested to exceed SAE J267 standards. Each slack adjuster comes with a one year unlimited km warranty.



TRUST MATTERS.

## COMMON AUTOMATIC SLACK ADJUSTERS

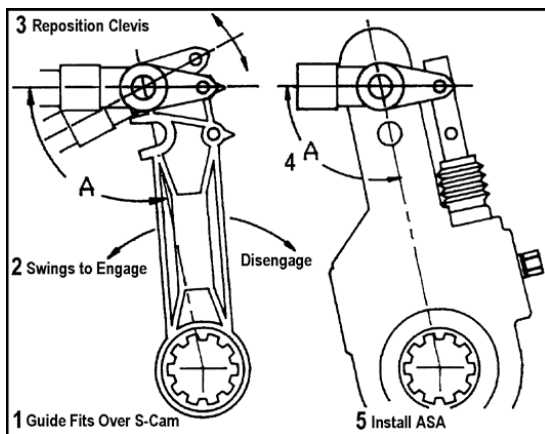
PART NUMBER	CROSS REFERENCE	SPLINE DIA. / NO. TEETH	LEVER LENGTH	CLEVIS TYPE	CLEVIS THREAD	APPLICATION GUIDE
E-6991B	MK21103S	1-1/2" - 10	5" - 6"	Straight	5/8" - 18	Bendix/Eaton/Meritor/Spicer brakes
E-6992B	MK21102S	1-1/2" - 10	5 1/2" - 6 1/2"	Straight	5/8" - 18	Bendix/Eaton/Meritor/Spicer brakes
E-6993B	MK22103S	1-1/2" - 28	5" - 6"	Straight	5/8" - 18	Eaton/Meritor/Spicer brakes
E-6994B	MK22102S	1-1/2" - 28	5 1/2" - 6 1/2"	Straight	5/8" - 18	Eaton/Meritor/Spicer brakes
E-6995B	MK23103S	1-5/8" - 37	5" - 6"	Straight	5/8" - 18	Fruehauf brakes
E-6996B	MK23102S	1-5/8" - 37	5 1/2" - 6 1/2"	Straight	5/8" - 18	Fruehauf brakes

## FEATURES & BENEFITS

- Clearance and load sensing
- Link rod actuation
- Adjust on return stroke
- Easy manual adjustment
- Extra grease sealing
- Fewer part numbers for full coverage;
  - Less confusion
  - Reduced inventory
- User friendly installation guide
  - Included in each kit
- Corrosion resistant 'E' coating

## INSTALLATION GUIDE

1. Guide fits on the S-Cam before automatic slack adjuster is installed.
2. Installation guide easily swings to engage clevis pin.
3. Reposition clevis until holes line up with guide.
4. Guide indicates exact set up angle "A".
5. Euclid Automatic Slack Adjuster is now installed without excessive manual adjustment that wears adjuster components.



Meritor Heavy Vehicle Systems Australia  
50 Calarco Drive  
Derrimut, VIC 3026  
AUSTRALIA

(03) 8353 6050

meritorpartsexpress.com

EFL006 AUTO SLACK ADJUSTERS 03/24  
Produced in AUS 03/24  
©2024 Cummins Inc.